

Diagraph Snyder, Inc.
1509D General Arts Road
Conyers, GA 30012
Phone: 800-233-1456
E-mail: sales@diagraphsnyder.com

MODEL “HV” STENCIL ROLLER OPERATING INSTRUCTIONS:

INKING

Remove the plastic bottle and fill with a recommended Diagraph type ink. Make sure gasket is present inside body casting before proceeding. Turn valve to “OFF” position. Thread plastic bottle into the body casting. Turn valve to “ON” position and squeeze bottle while rolling on stencil board. Use firm pressure on roller to assure uniform inking. Now make an ink test pattern on a clean carton. The ink pattern will be dark and even when the roller is completely inked. Repeat procedure until this has been accomplished and then turn valve off.

STENCILING

When ink pattern is uniform, roll back and forth over the desired stencil. Two or three light passes across the stencil will make a better print than one heavy pass. The valve should be in the “OFF” position to prevent over-inking and to prevent the bottle from collapsing during use.

STORAGE

Do not allow the roller to dry out or become hard. If left idle longer than 5 or 10 minutes, the protective cover should be used. Roller life is shortened each time it begins to dry out.

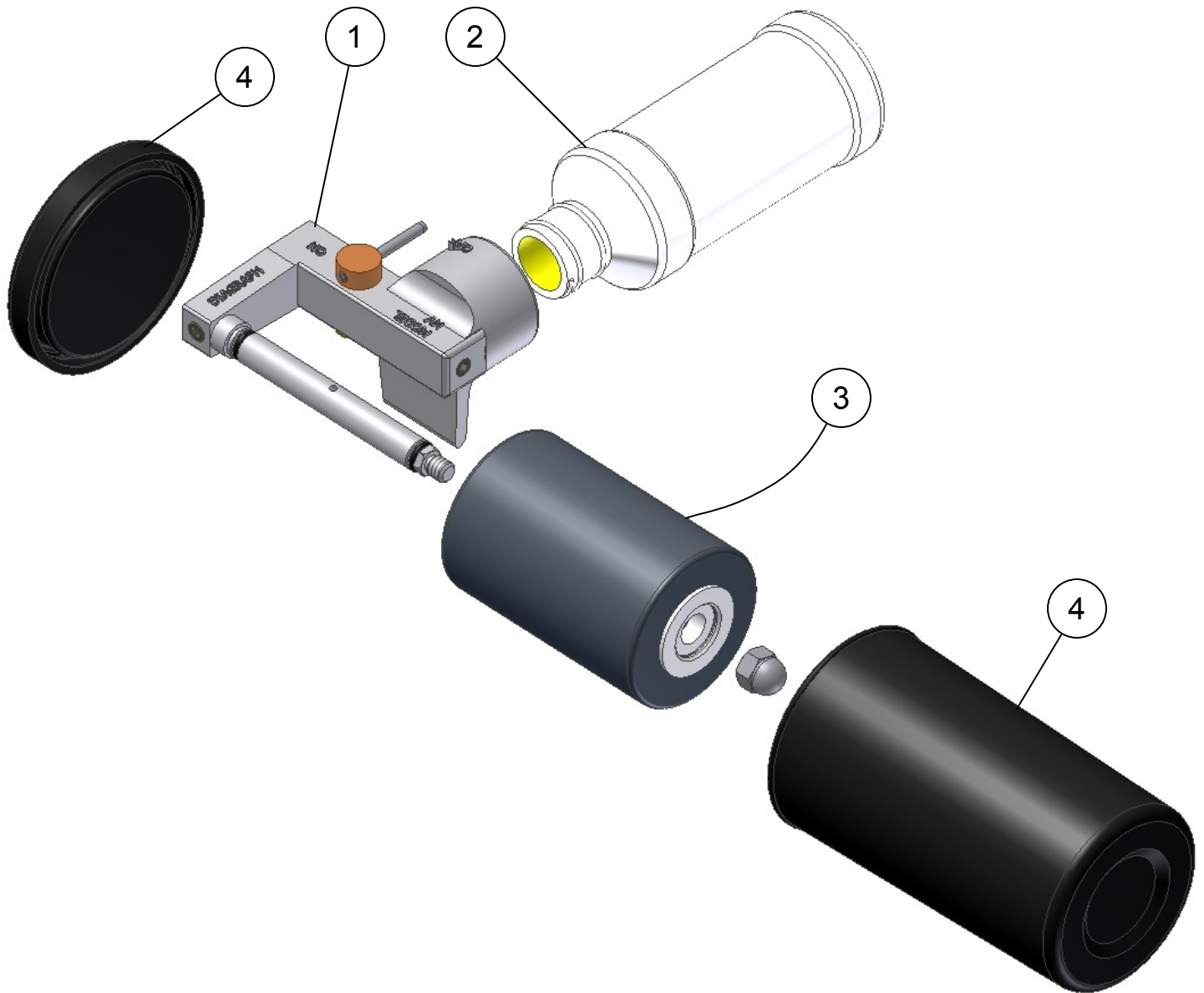
CLEANING

If the valve should ever become hard to turn or if the ink orifice in item (1) becomes clogged, the unit should be cleaned.

First, remove the foam roller. Then empty bottle of all ink and add at least two ounces of Rol-It-On conditioner. Now hold spindle downward in an open top metal or glass container, open valve, and flush. Continue flushing until ink passage is clean.

If valve is still hard to operate, remove the retaining ring and pull valve assembly out. Clean O-Rings and valve in Rol-It-On conditioner and replace.

REPLACEMENT PARTS:



Ref. No.	Stock No.	Description	Req'd
1	0603801	HV Assembly	1
2	1619049	Handle, Bottle	1
3	2700807	Roller	1
4	0603802	Cover	1